

# GENIUS5 6V & 12V 5A



Auto | Marine | RV | Powersport | Lawn & Garden

# NOCO genius<sup>®</sup> 5™ BATTERY CHARGER™ + MAINTAINER



## EVERYTHING CHARGER.

Do more with Genius. Multi-voltage, chemistries, and types.

Meet the GENIUS5 - Similar to our G3500, just better. It's 34% smaller and delivers over 65% more power. And it's simpler and easier to use than ever before. Plug-in, connect to the battery, select a charge mode, and start charging your battery. A fully-automatic, worry-free battery charger for year-round use. Designed for 6-volt and 12-volt lead-acid automotive, marine, and deep-cycle batteries, including flooded, gel, AGM, maintenance-free, and lithium-ion batteries.



### CHARGE DOWN TO ZERO VOLTS.

Charge dead batteries as low as 1-volt. Or use the all-new Force Mode that allows you to take control and manually begin charging dead batteries down to zero volts.



### BRING BATTERIES BACK TO LIFE.

Built-in desulfation mode for the most corroded batteries. Auto detection with smart diagnostic indicators starts a Repair Mode integrated within a 9-step charging profile.



### THERMAL COMPENSATION.

An integrated thermal sensor detects the ambient temperature and alters the charge to eliminate over-charging in hot climates and under-charging in cold climates.

# 24/7

### WORRY-FREE CHARGING.

Provides all-season, all-weather charging for a healthy battery. Leave plugged in 24/7 with no worries of overcharging. Automatically returns to its last selected mode.

NOCO  
30339 Diamond Parkway, #102  
Glenwillow, OH 44139 | USA  
1.800.456.6626

no.co

# NOCO<sup>®</sup>

# WHAT'S IN THE BOX.

56" (142.24cm)

85" (217cm)



Charger +  
Interchangeable  
Connector

Battery Clamps +  
Integrated Eyelets

21"  
(55cm)



Mounting Bracket + Strap



(2) #8x1" Self-tapping  
Screws



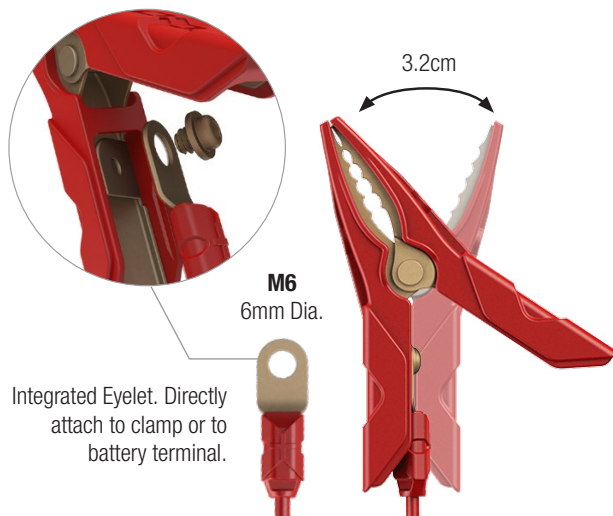
User Guide

**NOCO** Patented Technology

Patented: visit [no.co/patents](http://no.co/patents)

## Maximum Versatility.

Genius clamps are built with needle-nose profiles for smaller terminal applications and detachable integrated eyelets for permanently mounting the accessory to the battery.



## Technical Specifications

<b>Line Voltage AC:</b>	120-240 VAC, 50-60Hz	<b>DC Cable Length:</b>	77.6 Inches
<b>Output Power:</b>	75 Watts Max	<b>AC Cable Length:</b>	71.7 Inches
<b>Charging Voltage:</b>	Various	<b>Back Current Drain:</b>	<0.5mA
<b>Charging Current:</b>	5A (12V), 5A (6V)	<b>Battery Capacity:</b>	Up to 120Ah, Maintains All Battery Sizes
<b>Chemistry:</b>	Lead-Acid and Lithium	<b>Housing Protection:</b>	IP65
<b>Operating Temperature:</b>	-4° to 104° F (-20° to +40° C)	<b>Dimensions (LxWxH):</b>	4.6 x 2.9 x 1.9 Inches
<b>Storage Temperature:</b>	-22° to 140° F (-30° to +60° C)	<b>Unit Weight:</b>	1.5 lbs
<b>Low-Voltage Detection:</b>	1V (12V), 1V (6V)	<b>Cooling:</b>	Natural Convection

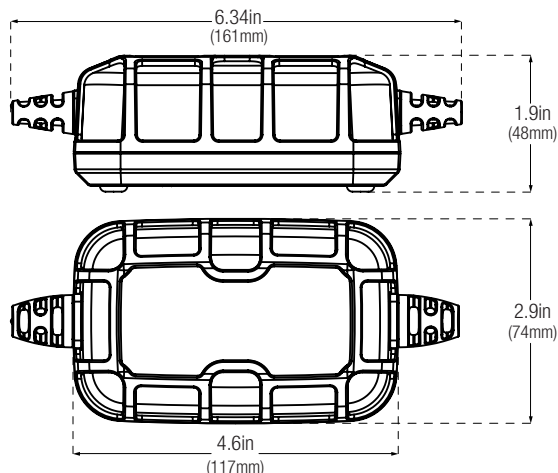
## Charging Times

(for reference, results may vary)

Battery Size	Approx. Charge Time in Hours	
	6V	12V
20Ah	3	3
40Ah	6	6
80Ah	12	12
100Ah	15	15
120Ah	18	18

## WHAT'S IN THE BOX.

- GENIUS5 Battery Charger w/ Interchangeable Connector
- Clamps w/ Integrated Eyelets
- Mounting Bracket w/ Strap
- (2) Self-Tapping Screws
- User Guide & Warranty Information



### Retail Packaging:

Dimensions: 4.61" x 3.43" x 7.95"  
Weight: 1.59lbs  
UPC: 0-46221-19004-5

### Inner Carton:

Dimensions: 4.84" x 3.70" x 8.19"  
Weight: 1.75lbs

### Master Carton:

Dimensions: 17.10" x 11.97" x 5.51"  
Weight: 11.31lbs  
Quantity: 6  
UCC: 10046221190042

### Units Per Pallet:

NA - 336 Units  
International - 252Units



NOCO

30339 Diamond Parkway, #102  
Glenwillow, OH 44139 | USA  
1.800.456.6626

no.co

**NOCO**®